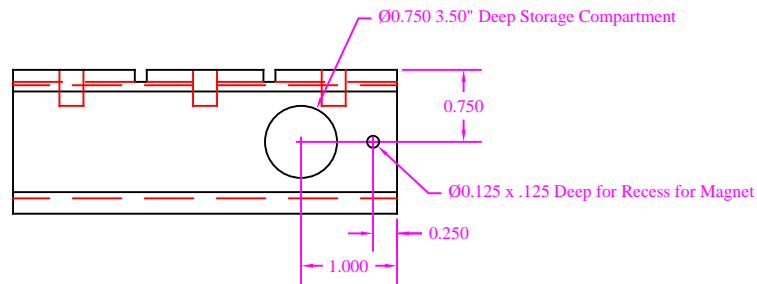
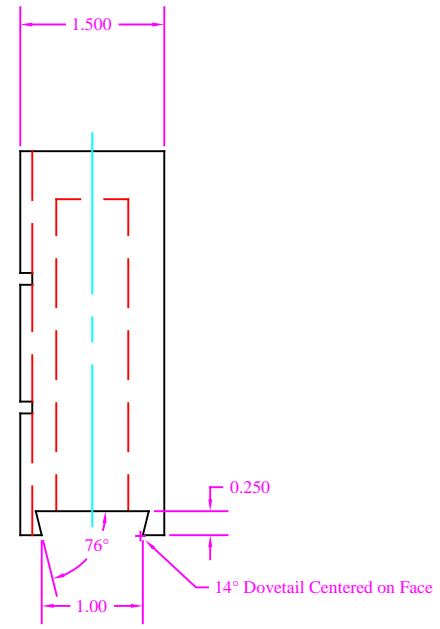
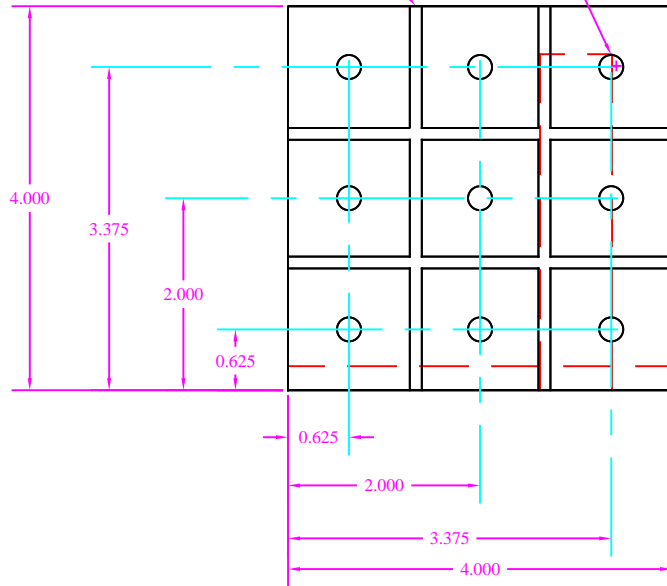


(4X) .125" x .125" Grooves Spaced Equally on Face.

(9X) Ø.375  
Ø.375" Deep



TIC TAC TOE

PART NAME:

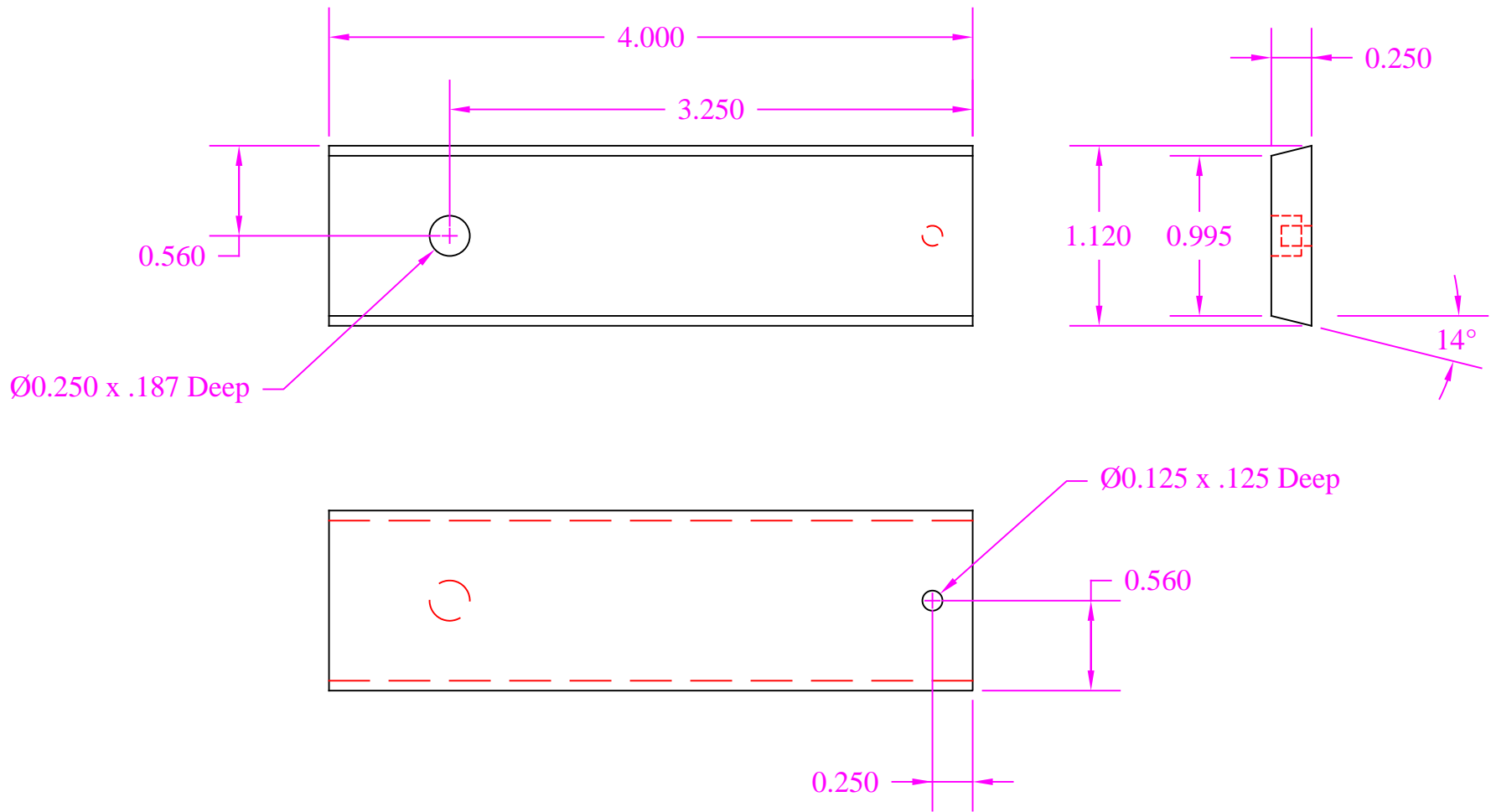
Base

DR BY: Alex Johnson

SCALE: 1:2

DATE: 9/24/19

SHEET: 1 of 4



Note: Adjust lid dimensions for a sliding fit in base.

**TIC TAC TOE**

**PART NAME:**

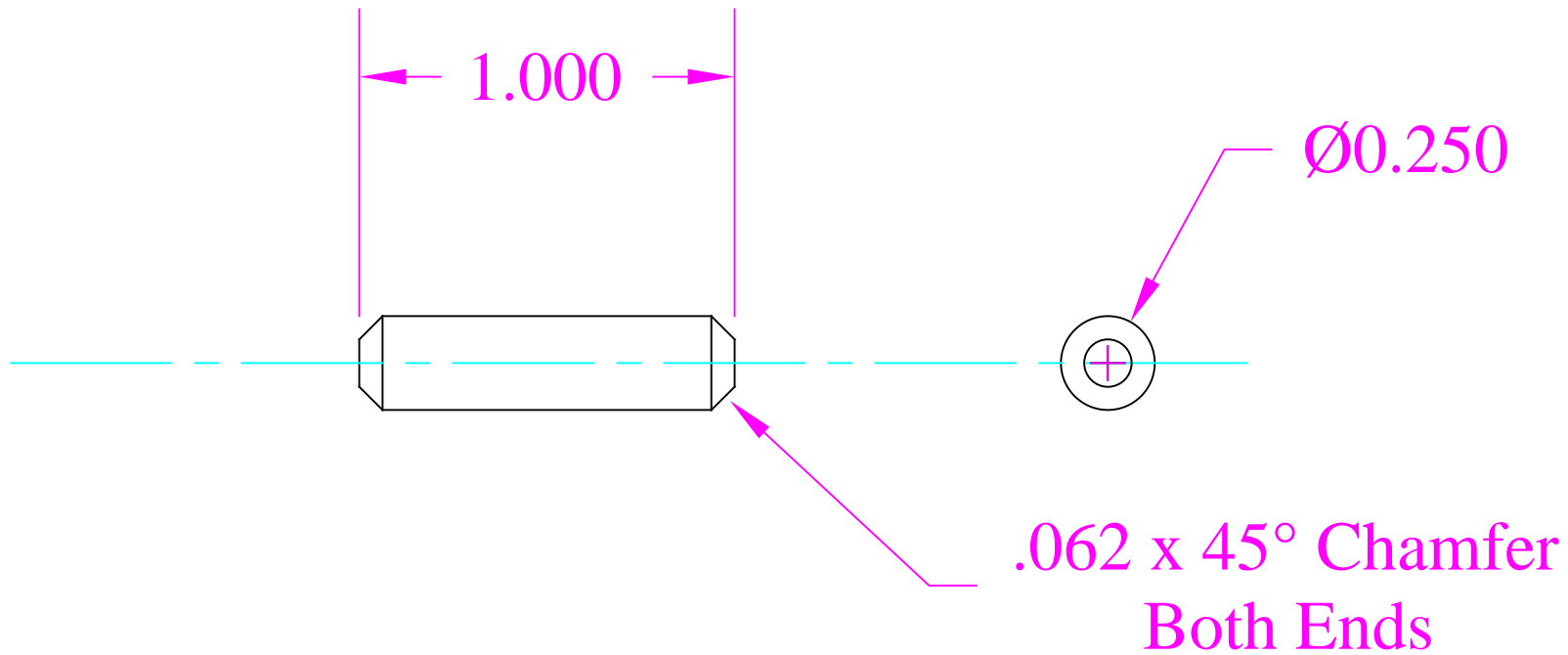
*Lid*

**DR BY:** *Alex Johnson*

**SCALE:** *1:1*

**DATE:** *9/24/19*

**SHEET:** *2 of 4*



**TIC TAC TOE**

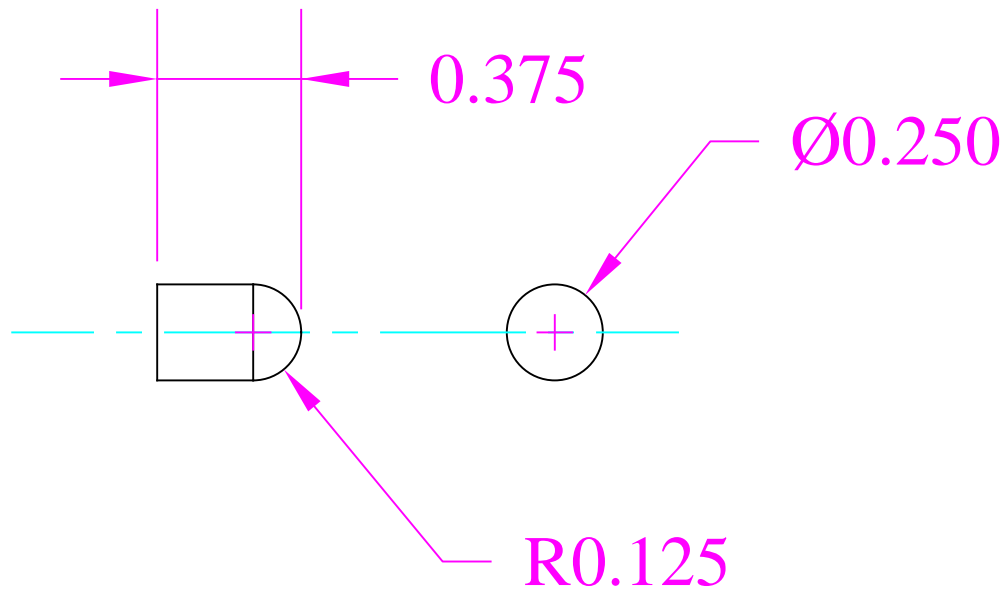
**PART NAME:**  
*Game Pieces*

**DR BY:** *Alex Johnson*

**SCALE:** *2:1*

**DATE:** *9/23/19*

**SHEET:** *3 of 4*



*Adjust dimensions for a press fit in lid.*

**TIC TAC TOE**

**PART NAME:**  
*Lid Pull*

**DR BY:** *Alex Johnson*

**SCALE:** *2:1*

**DATE:** *9/25/19*

**SHEET:** *4 of 4*